

DOC1 Closer Speed Adjustment

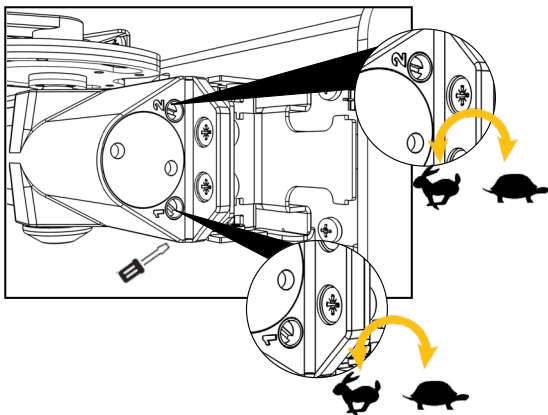
Once the Freedor has been fitted to the door, the closing and latching speed can then be adjusted to whichever speed you require.

To adjust the closing speed:

1. Increase the closing speed by loosening bolt 1 by turning anti-clockwise
OR
2. Decrease the closing speed by tightening bolt 1 by turning clockwise.

To adjust the latching speed:

1. Increase the latching speed by loosening bolt 2 by turning anti-clockwise
OR
2. Decrease the latching speed by tightening bolt 2 by turning clockwise.



Sensitivity Adjustment

To ensure that your Freedor responds to the sound of the fire alarm, the sensitivity may need to be adjusted:

1. Using the black plastic screwdriver provided, insert the screwdriver into the hole at the front of the unit next to the microphone.
2. Turn clockwise to increase the sensitivity.
3. Test Freedor's response to the alarm.

If Freedor responds to sounds quieter than the fire alarm and you wish to reduce the sensitivity:

1. Turn anti-clockwise to decrease the sensitivity.
2. Test Freedor's response to the alarm.

