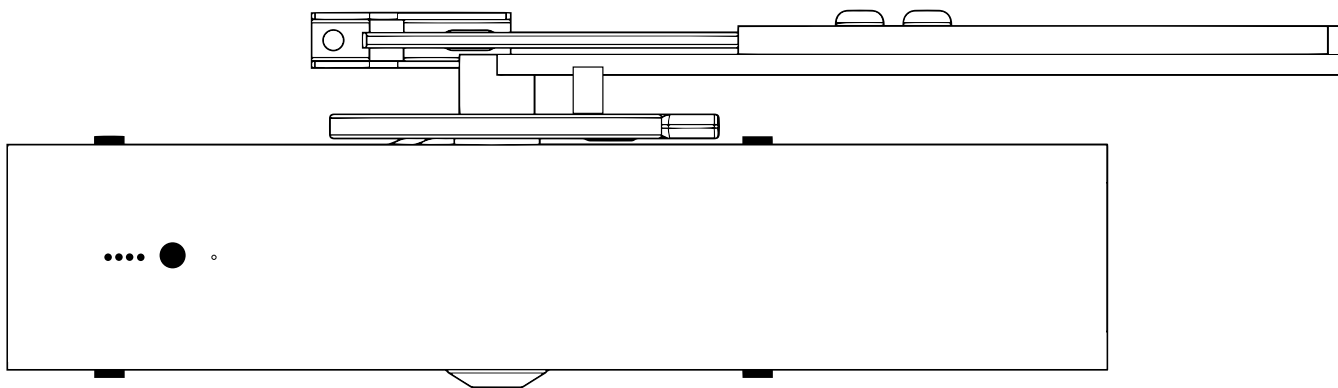


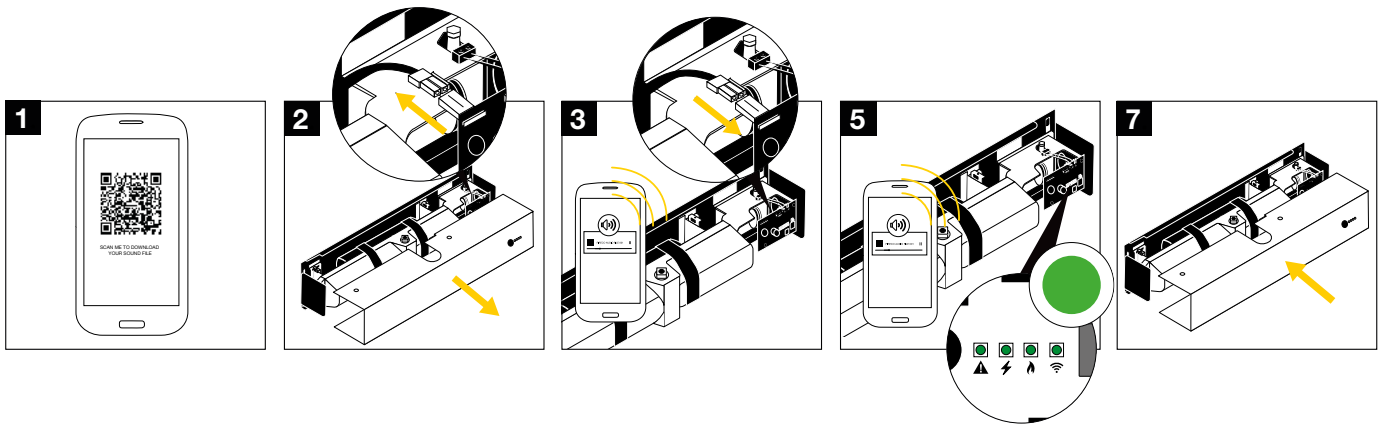
Freedor SmartSound Userguide



Filter Out Short Alarms

Adjust your unit to close the door after an alarm has been going off for a certain amount of time.

For example, schools often use the same sounder for fire alarms (which last for a long time) and lesson change bells (which last only for a few seconds). This feature allows shorter alarm sounds to be ignored so that the door remains open and only closes on the real fire alarm.



1. Using your smartphone, go to fireco.click/9797 or scan the QR code to download the sound file
2. Remove the cover
3. Disconnect the battery pack
4. Press play on the sound file with the phone next to the unit
5. Whilst the sound file is playing reconnect the battery pack
6. All lights will show green to confirm the application
7. Replace the cover

Scan for units made
before 20/03/2023



fireco.click/3256

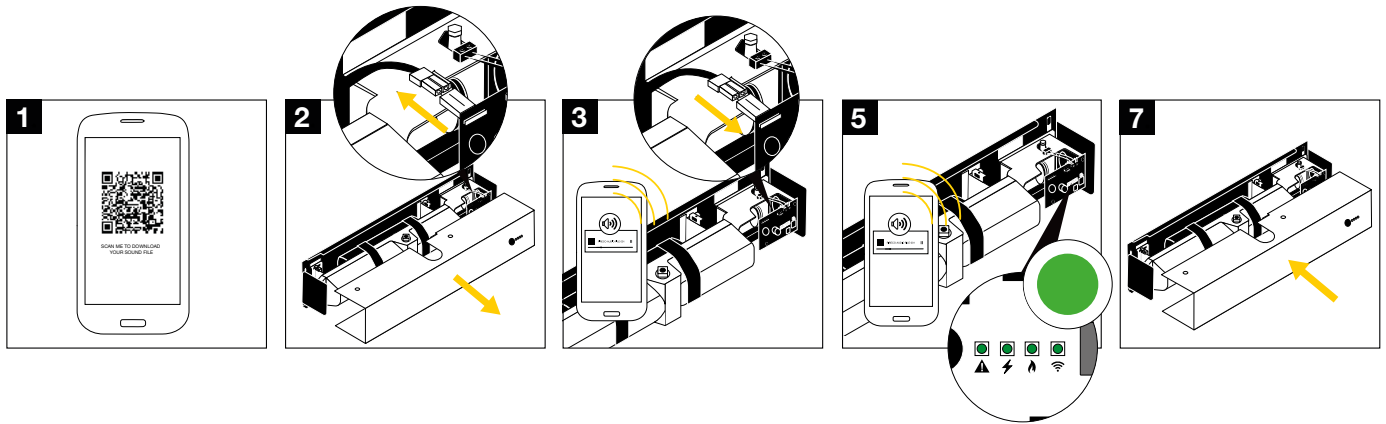
Scan for units made
after 20/03/2023



fireco.click/9797

Delay Door Closure

Give people more time to evacuate the building before the doors close.
This is particularly useful if there are occupants who are disabled or have limited mobility.



1. Using your smartphone, go to fireco.click/1539 or scan the QR code to download the sound file
2. Remove the cover
3. Disconnect the battery pack
4. Press play on the sound file with the phone next to the unit
5. Whilst the sound file is playing reconnect the battery pack
6. All lights will show green to confirm the application
7. Replace the cover

Scan for units made
before 20/03/2023



fireco.click/7395

Scan for units made
after 20/03/2023

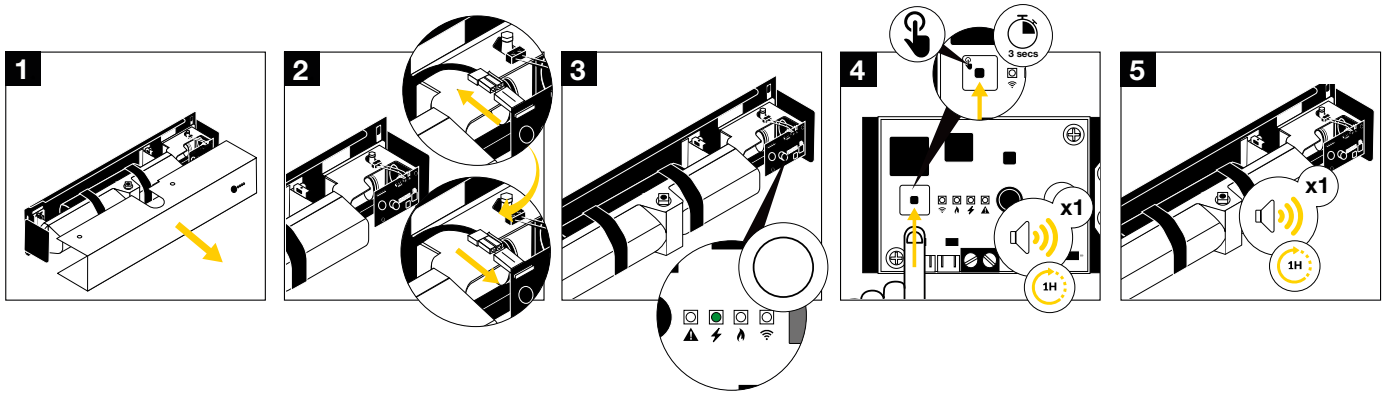


fireco.click/1539

Door Close Time

Set the unit to close the door at a chosen time.

This is useful for hotels where doors need to be kept open during the day to allow easy access but closed at night to reduce noise.



1. Remove the cover
2. Disconnect then reconnect the battery pack
3. Wait for the battery light to turn off
4. Press button, hold down for 3 seconds
5. The unit will beep once for every hour from the current time. If the time is 4pm and you want the unit to close the door at 8pm, you need to let the unit beep 4 times before pressing the button again
6. The unit will beep back the number of hours you have set to confirm

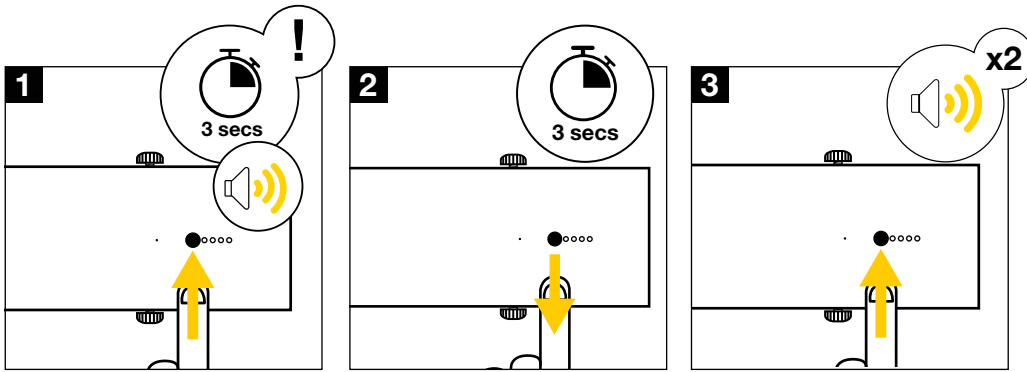
To change the time you have set, follow steps 1-6.

Notes: If you are applying the other features, set up Door Close Time last.

After the door is released, fully opening it will re-enable the weightless mode. If you want the doors to close automatically, follow 'Door Closer Mode' steps.

Door Closer Mode

Freedor makes your fire door weightless and allows you to place it open at any angle. If you want Freedor to act as a standard door closer follow these steps.

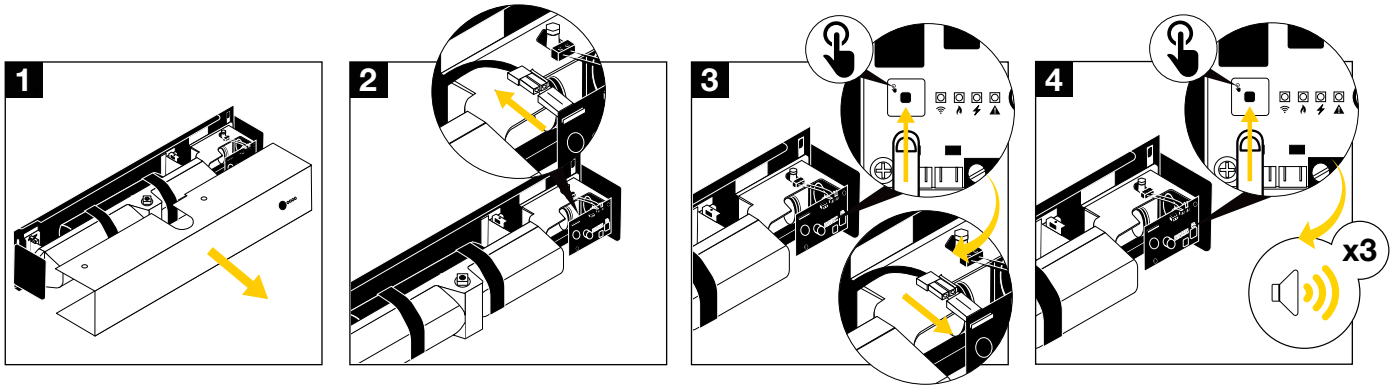



1. Push and hold the button on the front of the unit for 3 seconds (ignore the beeping)
2. Release the button for 3 seconds
3. Push and hold the button until the unit beeps twice

Note: Follow steps 1-3 to re-enable weightless mode.

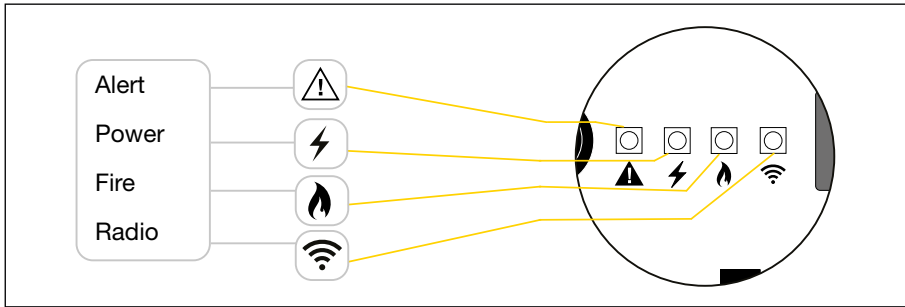
Factory Reset

By factory resetting your unit, all features applied will be removed.



1. Remove the cover
2. Disconnect the battery pack
3. Hold down the  button and reconnect the batteries- this must be done simultaneously
4. Continue to hold the button until the unit beeps 3 times to confirm the reset

Freedor SmartSound LEDs



Alert LED

- Illuminates red on a mechanical fault or door obstruction
- (Also see last bullet points for fire LED and power LED)

Power LED

Upon insertion of batteries:

- Green for 5-10 seconds if brand new batteries are inserted
- Amber for 5-10 seconds if batteries have less than 95% charge remaining
- Red for 5-10 seconds when critical battery level is reached
- If power and alert LEDs both illuminate red the critical battery level has been exceeded and the unit will fail-to-safe. This can happen on battery insertion and during normal operation, once batteries are depleted

Fire LED

- Flashes red before door is released upon detection of an alarm
- Flashes green before door is released if night-time closure feature is used
- If fire & alert LEDs are red unit has failed to release after an alarm was detected

Radio LED not currently in use.

Freedor SmartSound Specifications

Power	9V Alkaline battery pack
Expected battery life	2 years
Colour	Gloss: Silver, Brass, White. Matte: Black
Length	320mm
Height	70mm (105mm with arm)
Depth	95mm
Weight	4.5kg (boxed)
Installation position	Top of the door
Activation	SmartSound listening technology
Warranty	2 years
Casting	Acrylic
Hold open	Place open at any angle using free-swing feature
Power size	Power size EN3 (Max. door weight 60 kg & width 950 mm)
Audible warning	Yes
Fire rating	Freedor has been tested to EN1634-1 on FD30 doorsets, exposed and unexposed faces
Compliant to	EN1154, EN1155, EN1634, CE Marked
Classification	Suitable for a Standard (category B) system under BS7273-4: 2015

It is never safe to wedge open a fire door. If you need to buy more Freedor SmartSound give us a call on **01273 320650**.