

Compliance Made Easy

Dorgard Pro

Dorgard Pro is a fire door retainer which holds open fire doors legally, allowing them to automatically close when an alarm is activated.



Overview

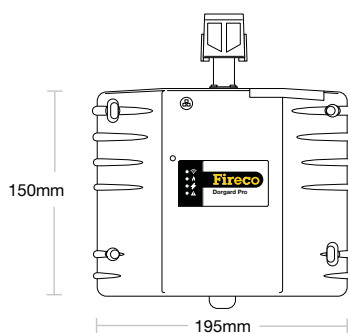
Dorgard Pro is a fire door retainer which holds open fire doors legally, allowing them to automatically close when an alarm is activated.

Dorgard Pro is controlled by ProHub, which is directly connected to the fire alarm panel.

Features

- 2 year warranty
- Hassle-free installation
- Connects to ProHub or ProExtender
- Easily monitor all units with InSite software*
- Controlled by ProHub, not affected by background noise

Product Dimensions



Overall Height	205mm
Casing Height	150mm
Width	195mm
Depth	45mm
Weight	~700g

*Subscription to InSite required.

Specification Overview

Power	2 x LR14 C-Size batteries
Warranty	2 years
Colour	Black or white
Casing	ABS Plastic
Activation	Radio signal (433-434 MHz)
Radio range	Typical internal range 30-40m
Hold open position	Can hold the door at any angle
Maximum door size	Power size 7 (maximum of 160kg and 1600mm width)
Audible warning	Yes
Compliant to	EN1155:1997+A1:2002, EN1634-1:2008, EMC Directive, Radio Equipment Directive, CE Marked
Classification	Critical (Category A) installations under BS7273-4 2015
Installation position	Bottom of door
Part number	360-1551 Dorgard Pro Black 956-8278 Dorgard Pro White

Expand the system

Dorgard Pro can be used as part of an expandable system. See below for compatible products

ProHub Dorgard Pro is designed to be used in conjunction with ProHub	198-1593 ProHub PoE 649-4204 ProHub with mains to 12V DC backup PSU
Freedor Pro	338-0604 Freedor Pro Silver Finish 170-2053 Freedor Pro Brass Finish
ProExtender	700-9825 ProExtender PoE 550-7411 ProExtender with mains 12V DC backup PSU 966-2075 ProExtender with plug-in PSU
Subscription services	912-0160 DMS Subscription 495-8488 InSite Subscription